

**CODE:** P432050  
**Item:** Insulation Piercing Connector IOS-15T

## PRODUCT TECHNICAL SPECIFICATION

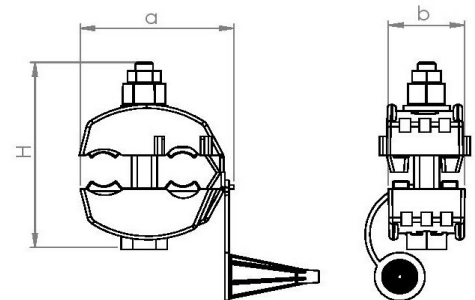
**Description:** Insulation piercing connector IOS-15T is designed for branching of main ABC cable lines mostly for household connection. Connector is used for aluminum and copper conductors. During assembly and installation, insulation of main and branch lines should not be removed. Connector is developed to be installed on the energized lines. Test voltage 6kV/50Hz for 1 min.



**Main line cross-section:** 16-95 mm<sup>2</sup>  
**Main line diameter:** 7.0-15.7 mm  
**Branch line cross-section:** 16-95 mm<sup>2</sup> (Aluminum max)  
**Branch line diameter:** 7.0-15.7 mm  
**Tightening torque:** AL-15 Nm / PL-18Nm (shear-head)

### Dimensions

**a [mm]** 59 ± 2 mm  
**b [mm]** 38 ± 2 mm  
**H [mm]** 78 ± 2 mm



### Other characteristics

**Elec. contact material:** Aluminum alloy (other per client request)  
**Bolt:** 1 x M8  
**Coating:** Galvanized (other per client request)  
**Body and sealant:** Weather and UV resistant Polyamide and water-tightness elastomer  
**Nut with share-head:** Aluminum alloy, 13mm  
**Insulation cap:** UV and weather resistant elastomer  
**Washer:** Steel  
**Required tools:** 13 mm wrench  
**Marking:** PLAMEN, IOS-15T, 16-95/16-95, P432050, Date  
**Standard:** EN 50483-4

### Packing:

**Product weight:** 118.00g per piece  
**Bag packing:** 50 pcs  
**Box packing:** 100 pcs  
**Box BRUTO weight:** 12.29 kg

