

CODE: P800510
Item: Suspension clamp PSP 4120

PRODUCT TECHNICAL SPECIFICATION

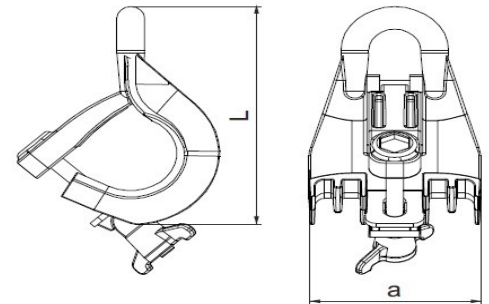
Description: Suspension clamp is designed for suspension support of ABC cables on wooden and concrete poles as well as on the facility walls.

Cable cross-section: 2x(25-35) to 4x(16-120) mm²
Cable diameter: (17.2-39.6) mm
SMFL: 7 kN
Tightening torque: 12 Nm



Dimensions

a [mm] 80 ± 2 mm
L [mm] 130 ± 2 mm



Other characteristics

Body: Weather and UV resistant Polyamide
Screw and nut: Galvanized steel (other per client request)
Required tools: No tools required
Marking: PLAMEN, PSP4120, 2x(25-35), 4x(16-120), P800510, Date
Standard: EN 50483-2

Packing:

Product weight: 177.00g per piece
Bag packing: - kom
Box packing: 25 kom
Box BRUTO weight: 4.92 kg



8605031012422