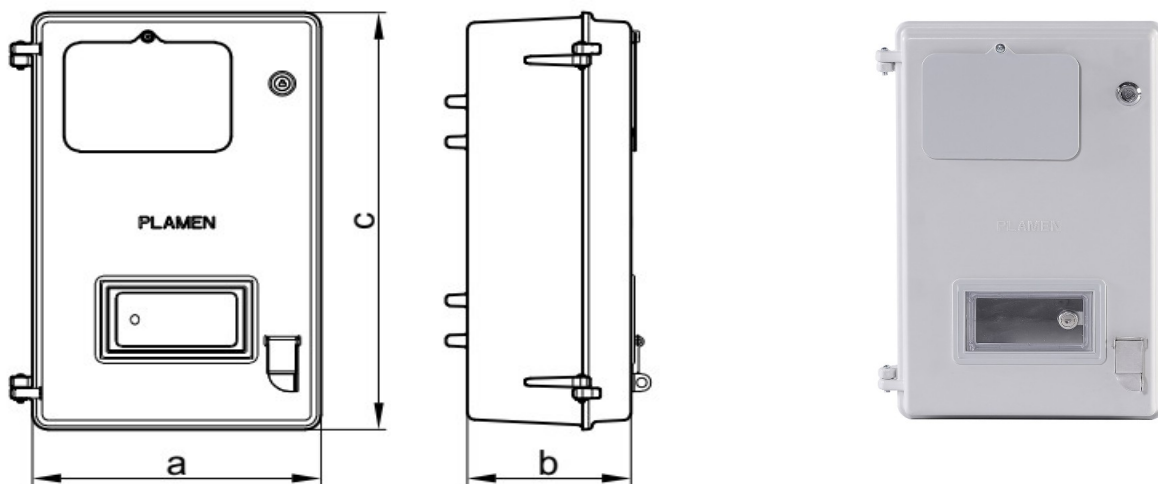



CODE: P730002
Item: Enclosure PMRO 1 S L

PRODUCT TECHNICAL SPECIFICATION

Description: Multipurpose modular enclosure PMRO 1 S L can be used for measuring points, industry, lighting, automation, etc. It is possible to use in environments such as dry, humid, exterior, interior, environment characterized by acid vapors, etc. **Installation of the enclosure is done on the pole.** The enclosure does not require maintenance.



No.	Code	Dimensions (mm)			Material	Appliance class	Flame-retardant	Color	IP	IK	Packing	Product weight (g)	Barcode
		a	b	c									
1	P73-00-02	300	170	470	SMC	Klasa II	V0	RAL 7035	65	10	1	3,50	 8605031041422

Other characteristics

Body material: Reinforced glass-fiber polyester (SMC), which made it enable the strength of the materials to be resistant to mechanical impacts, UV radiation, temperature alternations, non-flammability and dielectric strength of the enclosures.

Mounting on: Pole

NOTE: The enclosure may be delivered wired or non-wired as per request by client.

