

CODE: P432031
Item: Insulation Piercing Connector IOS-1P

PRODUCT TECHNICAL SPECIFICATION

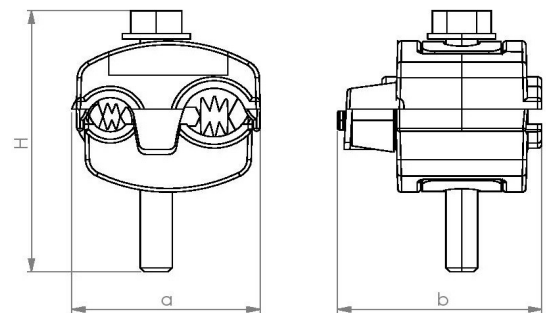
Description: Insulation piercing connector IOS-1P is designed for branching and continuation of main ABC cable lines. Connector is used for aluminum and copper conductors. During assembly and installation, insulation of main and branch lines should not be removed. Connector is developed to be installed on the energized lines **WITHOUT** voltage.



Main line cross-section: 16-95 mm²
Main line diameter: 7.0-15.7 mm
Branch line cross-section: 4.0-35 mm² (Aluminum max)
Branch line diameter: 3.7-10.9 mm
Tightening torque: 20 Nm

Dimensions

a [mm] 48 ± 1 mm
b [mm] 52 ± 1 mm
H [mm] 66 ± 1 mm

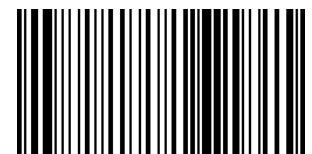


Other characteristics

Elec. contact material: Aluminum alloy (other per client request)
Bolt: 1 x M8
Coating: Galvanized (other per client request)
Body and sealant: Weather and UV resistant Polyamide, water-tightness elastomer / Steel alloy
Bolt material: Steel alloy, 13mm
Insulation cap: UV and weather resistant elastomer
Washer: Steel alloy
Required tools: 13 mm wrench
Marking: PLAMEN, IOS-1P, 16-95/4-35, P432031, 20Nm, Date
Standard: EN 50483-4

Packing:

Product weight: 126.80g per piece
Bag packing: 50 pcs
Box packing: 100 pcs
Box BRUTO weight: 13.17 kg



8605031011326