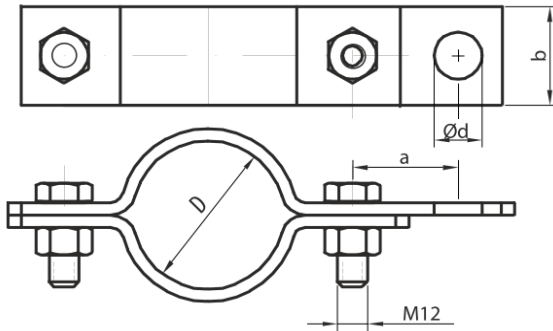






**CODE:** P90050x  
**Item:** Pipe ring with single hole

## PRODUCT TECHNICAL SPECIFICATION

**Description:** Pipe ring with single hole is designed for one side anchoring to roof pipe supports and supporting of ABC cables by tension clamp. Usually galvanized or on request hot-dip galvanized.



No.	Code	Type	Dimensions (mm)				Packing		Barcode
			a	b	d	D	Bag packing (pcs)	Box packing (pcs)	
1	P90-05-01	2"	40	60,3	18	60	-	25	 8605031016147
2	P90-05-02	2 1/2 "	40	76,1	18	66	-	25	 8605031016154
3	P90-05-03	3"	40	89	22	89	-	25	 8605031016161
4	P90-05-04	4"	40	102	22	40	-	25	 8605031016178

### Other characteristics

**Body material:** Steel alloy galvanized (special request of the client - hot-dip galvanized)

**Bolt / Nut / Washer:** Steel alloy galvanized (special request of the client - hot-dip galvanized)

**Required tools:** Wrench of appropriate size

**Marking:** According to the data for dimension D from the table

