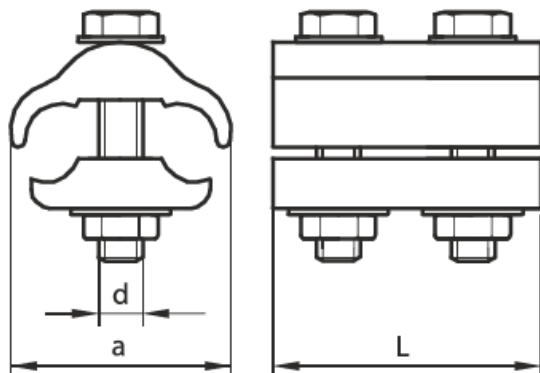







**CODE:** D41310x  
**Item:** Unimax copper PG connector - P

## PRODUCT TECHNICAL SPECIFICATION

**Description:** Unimax copper PG connector – D is designed for connection of two non-insulated Cu conductors.



No.	Cable cross-section (mm <sup>2</sup> )	Code	Type	Dimensions (mm)			Packing				Barcode
				d	a	L	Product weight (g)	Bag packing (pcs)	Box packing (pcs)	Box BRUTO weight (kg)	
1	4-25	D41-31-02	Cu 4-25	M6	24	40	86,00	50	300	26,29	 8605031003826
2	6-35	D41-31-03	Cu 6-35	M6	28	41	109,00	50	300	33,19	 8605031003833
3	6-50	D41-31-04	Cu 6-50	M8	35	45	194,20	50	250	49,04	 8605031003840
4	10-95	D41-31-05	Cu 10-95	M8	40	53	276,80	25	150	42,01	 8605031003857
5	25-150	D41-31-07	Cu 25-150	M10	50	64	497,00	25	150	75,04	 8605031039962

### Other characteristics

**Body material:** Copper alloy  
**Bolt / Washer:** Galvanized steel (other per client request)  
**Required tools:** Wrench of appropriate size  
**Marking:** P, cable cross-section  
**Standard:** DIN 48072/2

