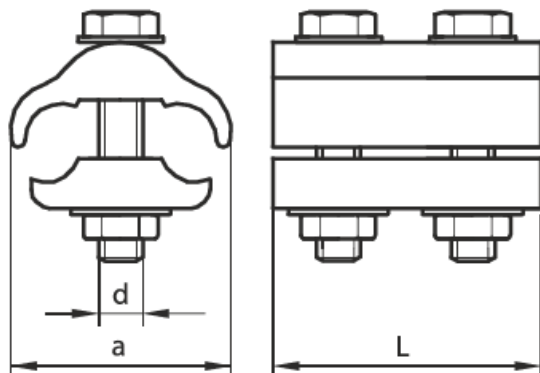







CODE: D41310x
Item: Unimax copper PG connector - P

PRODUCT TECHNICAL SPECIFICATION

Description: Unimax copper PG connector – D is designed for connection of two non-insulated Cu conductors.



No.	Cable cross-section (mm ²)	Code	Type	Dimensions (mm)			Packing				Barcode
				d	a	L	Product weight (g)	Bag packing (pcs)	Box packing (pcs)	Box BRUTO weight (kg)	
1	4-25	D41-31-02	Cu 4-25	M6	24	40	86,00	50	150	13,40	 8605031003826
2	6-35	D41-31-03	Cu 6-35	M6	28	41	109,00	50	150	16,84	 8605031003833
3	6-50	D41-31-04	Cu 6-50	M8	35	45	194,20	50	100	19,91	 8605031003840
4	10-95	D41-31-05	Cu 10-95	M8	40	53	276,80	25	50	14,33	 8605031003857
5	25-150	D41-31-07	Cu 25-150	M10	50	64	497,00	-	25	12,92	 8605031039962

Other characteristics

Body material: Copper alloy
Bolt / Washer: Galvanized steel (other per client request)
Required tools: Wrench of appropriate size
Marking: P, cable cross-section
Standard: DIN 48072/2

