

CODE: P432904
Item: Adapter for Insulation Piercing Connector AD-13

PRODUCT TECHNICAL SPECIFICATION

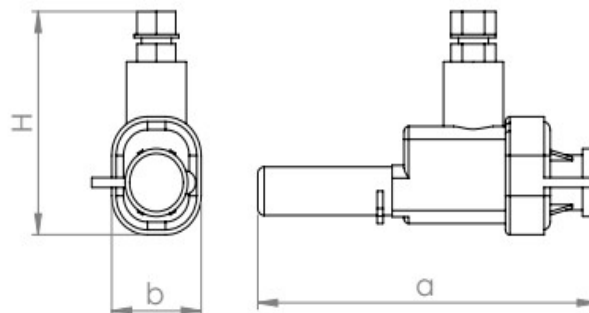
Description: Adapters for Insulation Piercing Connectors are used in combination with Insulation Piercing Connectors for branching of branch lines which may be separately connected or disconnected without removing the Insulation Piercing Connector from the network. At the branch line is necessary to remove insulation in the length designated on the adapter.



Conductor cross-section: 1x(16-95) mm²
Conductor diameter: 4.6-12.0 mm
Tightening torque: 5 Nm (shear-head)

Dimensions

a [mm] 110
b [mm] 34
H [mm] 84



Other characteristics

Elec. contact material: Aluminum alloy
Body and sealant: Weather, UV resistant and water-tightness elastomer
Nut with share-head: Aluminum alloy/Weather and UV resistant Polyamide, 13mm
Required tools: 13 mm wrench
Marking: The length of removing the insulation from the cable, Date
Standard: EN 50483-4

Packing:

Product weight: 74.00g per piece
Bag packing: - pcs
Box packing: 50 pcs
Box BRUTO weight: 4.19 kg



8605031035544