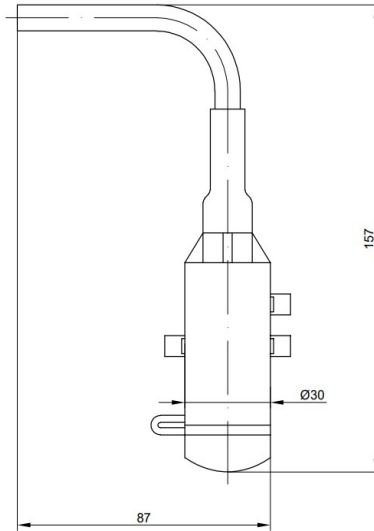






**CODE:** P43291x  
**Item:** Insulation piercing tapping modul for measuring and earthing

## PRODUCT TECHNICAL SPECIFICATION

**Description:** Insulation piercing tapping modul for measuring and earthing is designed for using in combination with Insulation Piercing Connector and it is dedicated for measurements and earthing of LV ABC networks.

**Cable cross section:** 25mm<sup>2</sup>



No.	Code	Type	Packing				Barcode
			Product weight (g)	Bag packing (pcs)	Box packing (pcs)	Box BRUTO weight (kg)	
1	P432911	PMCC Ø11	100,00	-	100	10,49	 8605031011531
2	P432912	PMCC AI	81,00	-	100	8,59	 8605031040586
3	P432913	PMCC OK17	137,00	-	100	14,19	 8605031040593
4	P432914	PMCC M12x1	116,00	-	100	12,09	 8605031011531

### Other characteristics

**Body material:** Weather and UV resistant Polyamide and water-tightness elastomer, brass

**Insulation cap:** UV and weather resistant elastomer

**Marking:** PLAMEN, PMCC, P432911, Date

**Standard:** EN 50483-4

