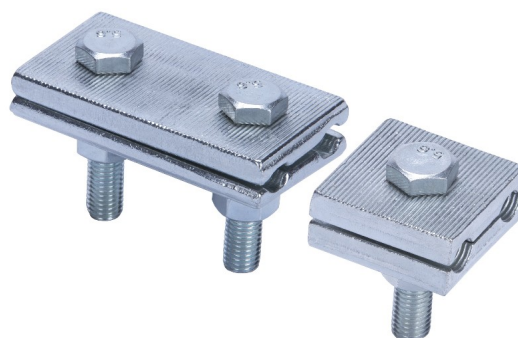
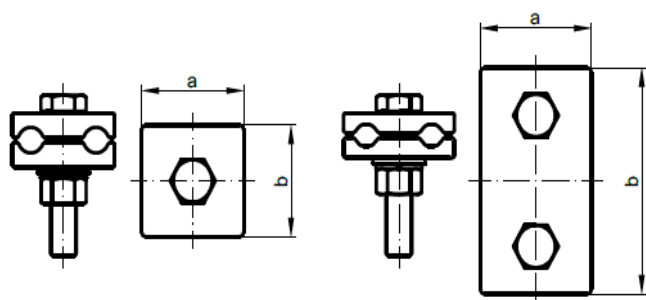




CODE: P41391x
Item: Grounding clamp

PRODUCT TECHNICAL SPECIFICATION

Description: Grounding clamp is designed for connecting round conductors for grounding or for connecting two round conductors together.



No.	Cable cross-section (mm ²)	Code	Type	Dimensions (mm)		Bolt	Packing				Barcode
				a	b		Product weight (g)	Bag packing (pcs)	Box packing (pcs)	Box BRUTO weight (kg)	
1	10	P41-39-11	SU 1	47	48	M12	365,00	25	100	37,00	 8605031010985
2	10	P41-39-12	SU 2	51	95	M12	730,00	25	100	73,50	 8605031010992

Other characteristics

Body material: Brass alloy
Bolt / Nut / Washer: Galvanized steel (other per client request)
Required tools: Wrench of appropriate size - according to bolt data
Marking: P, cable cross-section

