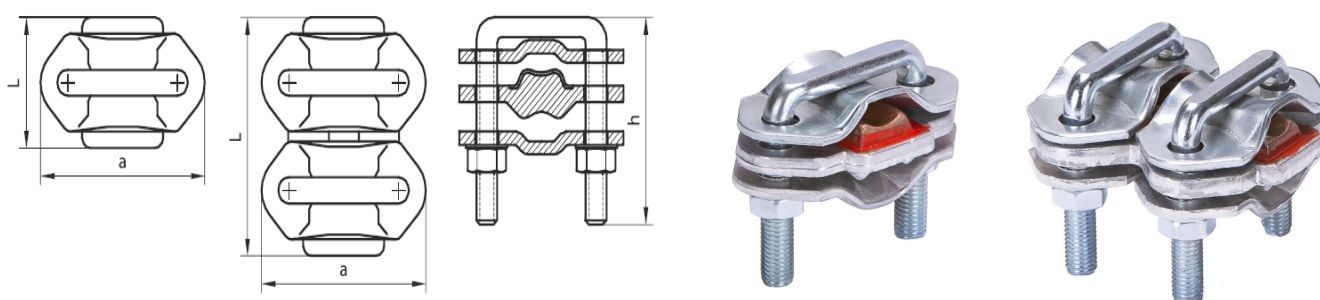





CODE: P410xxx
Item: Bimetallic tapping connector

PRODUCT TECHNICAL SPECIFICATION

Description: Bimetallic tapping connector is designed for low voltage overhead distribution lines when Al power lines are continued with Cu power lines.



No.	Cable cross-section (mm ²)		Code	Type	Dimensions (mm)			Thread	Packing				Barcode
	Al	Cu			a	L	h		Product weight (g)	Bag packing (pcs)	Box packing (pcs)	Box BRUTO weight (kg)	
	1	35			6-10	P41-08-00	AlCu 6-35/1		48	31	41	M6	
2	35-70	10-16	P41-09-00	AlCu 16-70/2	48	58	41	M6	120,80	25	150	18,61	 8605031010183
3	150	10-25	P41-08-01	AlCu 25-150/1	63	40	53	M8	135,40	50	200	27,57	 8605031010138
4	150	10-25	P41-09-01	AlCu 25-150/2	63	72	53	M8	276,00	20	60	17,05	 8605031010190

Other characteristics

Body material: Aluminum alloy / Copper alloy
Bolt / Nut / Washer: Galvanized steel (other per client request)
Required tools: Wrench of appropriate size
Marking: Manufacturer, cable cross-section
Standard: SRPS N.F4.106

