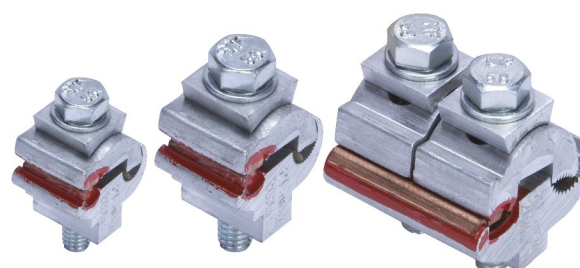
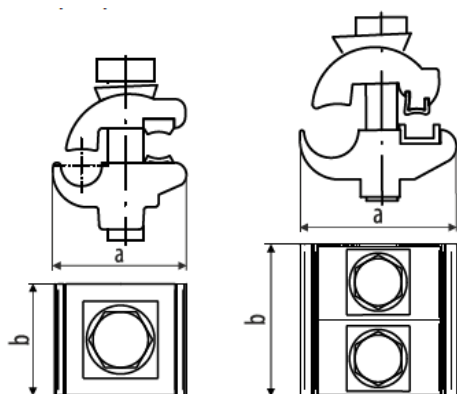






CODE: P41242x
Item: Unimax aluminum-copper PG connector

PRODUCT TECHNICAL SPECIFICATION

Description: Unimax aluminum-copper PG connector is designed for connection of non-insulated aluminum and copper conductors.



No.	Cable cross-section (mm ²)	Code	Type	Dimensions (mm)		Insulating case	Packing				Barcode
				a	b		Product weight (g)	Bag packing (pcs)	Box packing (pcs)	Box BRUTO weight (kg)	
1	Al 10-50 / Cu 1,5-10	P41-24-21	Al 10-50 / Cu 1,5-10 / 1	30	22	IZO-14	52,67	50	300	16,30	 8605031010527
2	Al 16-95 / Cu 2,5-25	P41-24-22	Al 16-95 / Cu 2,5-25 / 1	40	26	IZO-15	74,00	50	200	15,29	 8605031010534
3	Al 16-120 / Cu 6-50	P41-24-23	Al 16-120 / Cu 6-50 / 2	40	42	IZO-15	119,08	50	150	18,36	 8605031010541
4	Al 50-240 / Cu 10-95	P41-24-24	Al 50-240 / Cu 10-95 / 2	60	43	IZO-16	294,00	10	50	15,19	 8605031010558

Other characteristics

Body material: Aluminum alloy / Copper alloy
Bolt / Washer: Galvanized steel (other per client request)
Required tools: Wrench of appropriate size
Marking: Manufacturer, cable cross-section, screw tightening torque

