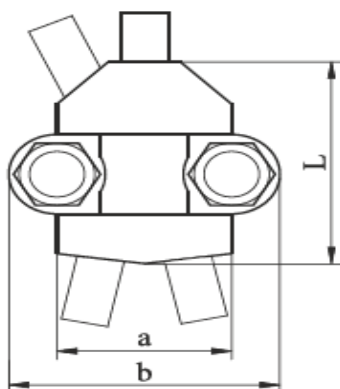





**CODE:** P41190x  
**Item:** Copper termination clamp

## PRODUCT TECHNICAL SPECIFICATION

**Description:** Copper termination clamp is designed for connection and termination of Cu conductors, for strain-carrying support of ABC cables with bare carrying conductors. Also, the same can be used where is required high mechanical solidity of connections.



No.	Cable cross-section (mm <sup>2</sup> )	Code	Type	Dimensions (mm)			Packing				Barcode
				a	b	L	Product weight (g)	Bag packing (pcs)	Box packing (pcs)	Box BRUTO weight (kg)	
1	25-35	P41-19-01	Cu 25-35	36	48	48	291,20	25	100	29,61	 8605031010237
2	50-70	P41-19-02	Cu 50-70	46	60	60	564,49	25	100	56,94	 8605031010244
3	95-120	P41-19-03	Cu 95-120	62	78	70	978,00	-	25	24,94	 8605031010251

### Other characteristics

**Body material:** Copper alloy  
**Bolt / Washer:** Galvanized steel (other per client request)  
**Required tools:** Wrench of appropriate size  
**Marking:** Manufacturer, cable cross-section, Code  
**Standard:** SRPS N.F4.106

