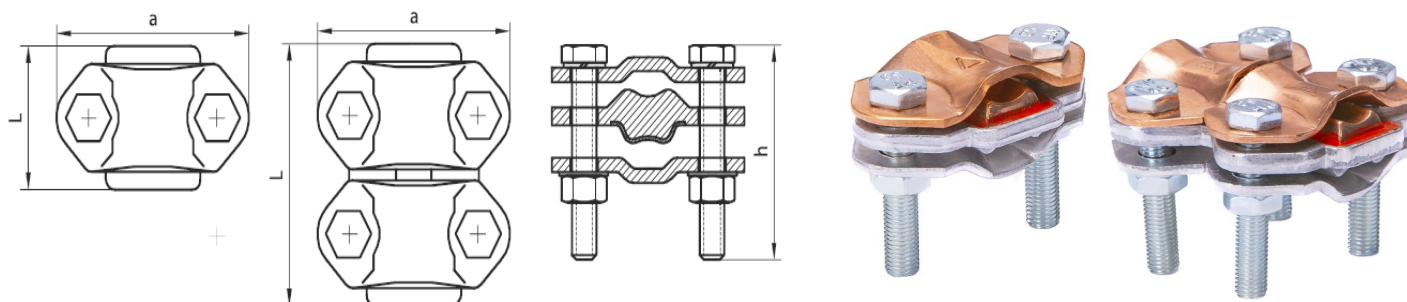





CODE: D410xxx
Item: Bimetallic tapping connector

PRODUCT TECHNICAL SPECIFICATION

Description: Bimetallic tapping connector is designed for low voltage overhead distribution lines when Al power lines are continued with Cu power lines.



No.	Cable cross-section (mm ²)		Code	Type	Dimensions (mm)			Bolt	Packing				Barcode
	Al	Cu			a	L	h		Product weight (g)	Bag packing (pcs)	Box packing (pcs)	Box BRUTO weight (kg)	
	1	35			6-10	D41-08-00	AlCu 6-35/1		48	35	41	M6	
2	35-70	10-16	D41-09-00	AlCu 16-70/2	48	58	41	M6	122,00	25	150	18,79	 8605031003529
3	150	10-25	D41-08-01	AlCu 25-150/1	63	40	53	M8	136,20	50	200	27,73	 8605031003512
4	150	10-25	D41-09-01	AlCu 25-150/2	63	72	53	M8	292,67	20	60	18,05	 8605031003536

Other characteristics

Body material: Aluminum alloy / Copper alloy
Bolt / Nut / Washer: Galvanized steel (other per client request)
Required tools: Wrench of appropriate size
Marking: Manufacturer, cable cross-section
Standard: DIN 48075

