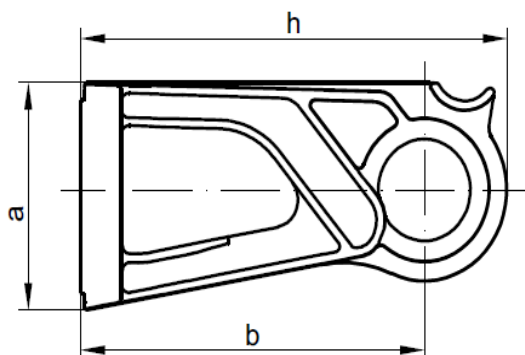



CODE: P801501
Item: Aluminum alloy bracket for ABC cables CS 1500

PRODUCT TECHNICAL SPECIFICATION

Description: Aluminum alloy bracket for ABC cables CS 1500 is designed for tension clamp support and suspension clamp support of ABC cables.



No.	Code	Type	Dimensions (mm)			SMFL (kN)	Packing				Barcode
			a	b	h		Product weight (g)	Bag packing (pcs)	Box packing (pcs)	Box BRUTO weight (kg)	
1	P80-15-01	1500	83	140	175	12	327,60	-	40	13,60	 8605031013429

Other characteristics

Body material: Aluminum alloy
Required tools: Wrench of appropriate size or tensioner for stainless steel strap
Marking: Plamen, CS 1500, Code, Data
Standard: EN 50483-2, EN 50483-3, NF C33-040

