

CODE: P800602
Item: Suspension clamp 80.31.00

PRODUCT TECHNICAL SPECIFICATION

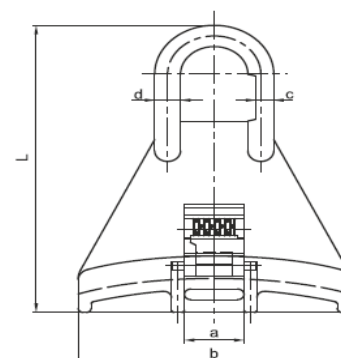
Description: Suspension clamp is designed for suspension support of ABC cables on wooden and concrete poles as well as on the facility walls.



Cable cross-section: 1x(35N-71.5N) mm²
Cable diameter: 1x(9.3-13.4) mm
SMFL: 5 kN

Dimensions

a [mm] 23 mm
b [mm] 105 mm
c [mm] 8 mm
d [mm] 11 mm
L [mm] 135 mm



Other characteristics

Body: Weather and UV resistant Polyamide
Required tools: Wrench OK 13
Marking: PLAMEN, 803100, 35-71.5, P800602, Date
Standard: EN 50483-3

Packing:

Product weight: 109.80g per piece
Bag packing: - kom
Box packing: 50 kom
Box BRUTO weight: 5.98 kg

