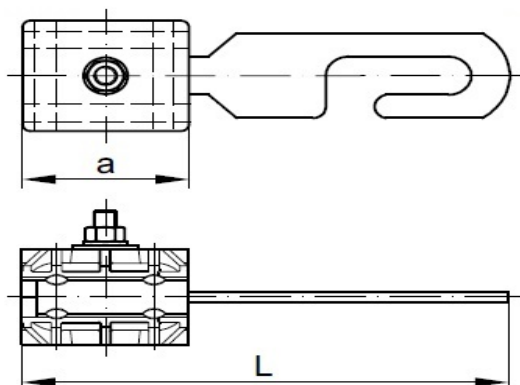




**CODE:** P80182xA (x=3 or x=4)  
**Item:** Universal tension-suspension clamp PAC/PS 500

## PRODUCT TECHNICAL SPECIFICATION

**Description:** Universal tension-suspension clamp PAC/PS 500 is designed for tension and/or suspension support of ABC cables on wooden and concrete poles as well as on the facility walls by hanging on standard hooks and brackets.



No.	Cable cross-section (mm <sup>2</sup> )	Code	Type	Dimensions (mm)		Torque (Nm)	SMFL (kN)	Packing				Barcode
				L1	L			Product weight (g)	Bag packing (pcs)	Box packing (pcs)	Box BRUTO weight (kg)	
1	2x(16-35)	P80-18-23A	PAC/PS 216/35	65	190	20	5	382	-	40	15,77	 8605031034516
2	4x(16-35)	P80-18-24A	PAC/PS 416/35	65	190	20	5	382	-	40	15,77	 8605031013627

### Other characteristics

**Body :** Galvanized steel (other per client request) / Weather and UV resistant Polyamide  
**Required tools:** Wrench OK 17  
**Marking:** PLAMEN, PAC/PS 2x(16-35) ili PAC/PS 4x(16-35), P80182xA, Date  
**Standard:** EN 50483-2

