

CODE: P432040
Item: Insulation Piercing Connector IOS-26T

PRODUCT TECHNICAL SPECIFICATION

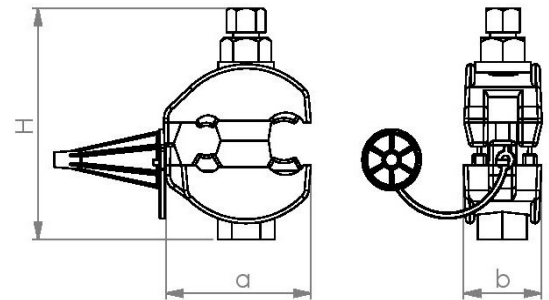
Description: Insulation piercing connector IOS-26T is designed for branching of main ABC cable lines mostly for household connection. Connector is used for aluminum and copper conductors. During assembly and installation, insulation of main and branch lines should not be removed. Connector is developed to be installed on the energized lines. Test voltage 6kV/50Hz for 1 min.



Main line cross-section: 16-120 mm²
Main line diameter: 7.0-16.7 mm
Branch line cross-section: 2.5-35 mm² (Aluminum max)
Branch line diameter: 3.2-10.9 mm
Tightening torque: Al-7 Nm / Pl-12 Nm (shear-head)

Dimensions

a [mm] 59 ± 2 mm
b [mm] 35 ± 2 mm
H [mm] 87 ± 2 mm



Other characteristics

Elec. contact material: Aluminum alloy (other per client request)
Bolt: 1 x M8
Coating: Galvanized (other per client request)
Body and sealant: Weather and UV resistant Polyamide and water-tightness elastomer
Nut with share-head: Aluminum alloy or Polyamide, 13mm
Insulation cap: UV and weather resistant elastomer
Washer: Steel
Required tools: 13 mm wrench
Marking: PLAMEN, IOS-26T, 16-120/2.5-35, P432040, Date
Standard: EN 50483-4

Packing:

Product weight: 99.07g per piece
Bag packing: 50 pcs
Box packing: 100 pcs
Box BRUTO weight: 10.40 kg

